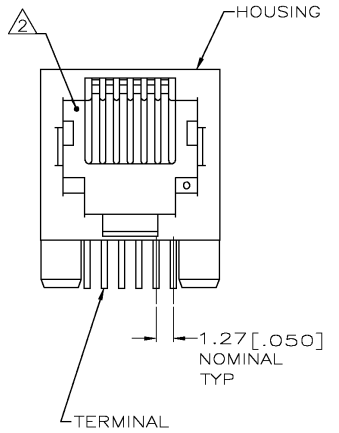
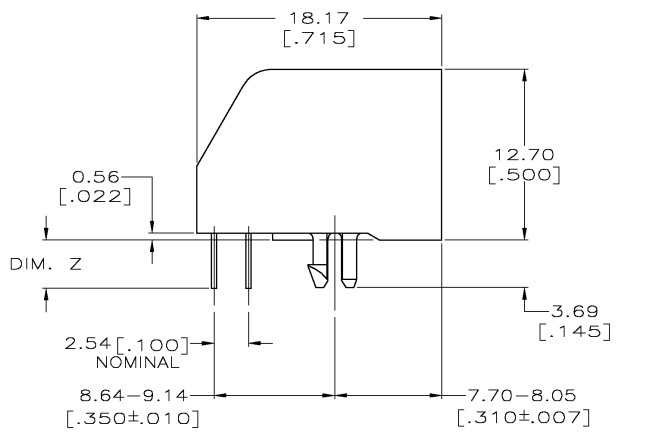
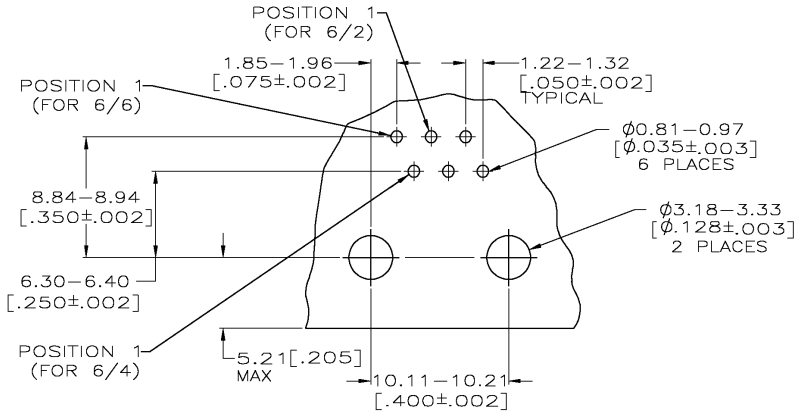
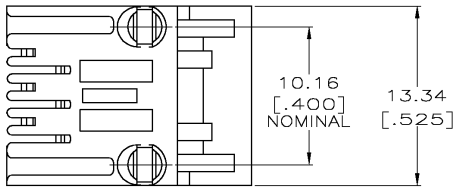


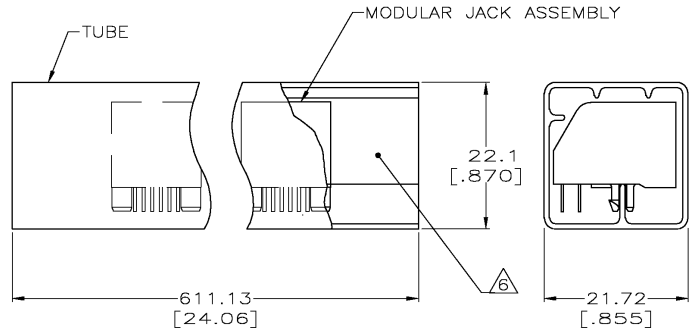
| LOC | | DST | | REVISIONS | | | |
|-----|-----|------------------------------|-----------|-----------|------|--|--|
| P | LTR | DESCRIPTION | DATE | DWN | APVD | | |
| AA | 22 | | | | | | |
| | K | ADDED:-5 PER EC 0511-0106-03 | 16JUL2003 | DD | BK | | |



- ⚠ MATERIAL: HOUSING - HTN MOLDING COMPOUND, 94v-0 RATED, BLACK, IR COMPATIBLE. TERMINAL - 0.35[.0138] THICK PHOSPHOROUS-BRONZE PLATED WITH 1.27μm[.000050] MINIMUM THICK GOLD IN LOCALIZED GOLD PLATE AREA AND 3.81μm[.000150] MINIMUM THICK TIN-LEAD IN SOLDER AREA OVER 1.27μm[.000050] MINIMUM THICK NICKEL UNDERPLATE.
- ⚠ JACK CAVITY CONFORMS TO FCC RULES AND REGULATIONS PART 68, SUBPART F.
- ⚠ DIMENSIONS ARE MAXIMUM UNLESS OTHERWISE SPECIFIED.
- ⚠ BULK PACKAGED IN A TRAY.
- ⚠ THIS ASSEMBLY IS SURFACE MOUNTING COMPATIBLE.
- ⚠ 43 ASSEMBLIES PACKAGED PER TUBE, SEE DETAIL "E".
- ⚠ TERMINALS LOCATED IN THE CENTER POSITIONS FOR 569026-4 AND -5 ONLY.



SUGGESTED PRINTED CIRCUIT BOARD MOUNTING HOLE LAYOUT
 VIEW SHOWN IS COMPONENT SIDE OF BOARD



DETAIL E
 SCALE 2:1

| | | | | | | |
|------------------------|---------------------|---|---|---|---|----------|
| | 3.6±0.3[.14±.01] | ⚠ | ⚠ | 2 | ⚠ | 569026-5 |
| | 3.8±0.5[.15±.02] | ⚠ | ⚠ | 4 | ⚠ | 569026-4 |
| SUPERSEDED BY 569026-1 | 2.9±0.25[.115±.010] | ⚠ | ⚠ | 6 | ⚠ | 569026-3 |
| SUPERSEDED BY 569026-1 | 3.6±0.3[.14±.01] | ⚠ | ⚠ | 6 | ⚠ | 569026-2 |
| | 3.6±0.3[.14±.01] | ⚠ | ⚠ | 6 | ⚠ | 569026-1 |

| DIM. Z | PACKAGED | TERMINALS REQUIRED | PART NUMBER |
|--------|----------|--------------------|-------------|
|--------|----------|--------------------|-------------|

| | | | | | |
|--|------------|----------------------------|--|--|--|
| THIS DRAWING IS A CONTROLLED DOCUMENT. | | DWN DL DRUMMOND 11-JUN-98 | | Tyco Electronics Corporation | |
| DIMENSIONS: MM (INCHES) | | CHK P. HUSSEY 27-JUN-98 | | Harrisburg, PA 17105-3608 | |
| TOLERANCES UNLESS OTHERWISE SPECIFIED: | | APVD J. TONEY 27-JUN-98 | | NAME | |
| 0 PLC ± - | 1 PLC ± - | PRODUCT SPEC: 108-1163 | | MODULAR JACK ASSEMBLY, 6 POSITION, LOW PROFILE, RIGHT ANGLE (IR) | |
| 2 PLC ± - | 3 PLC ± - | APPLICATION SPEC: 114-2048 | | SIZE CASE CODE DRAWING NO RESTRICTED TO | |
| 4 PLC ± - | ANGLES ± - | WEIGHT | | A2 00779 ©-569026 | |
| MATERIAL | FINISH | CUSTOMER DRAWING | | SCALE 4:1 SHEET 1 OF 1 REV K | |